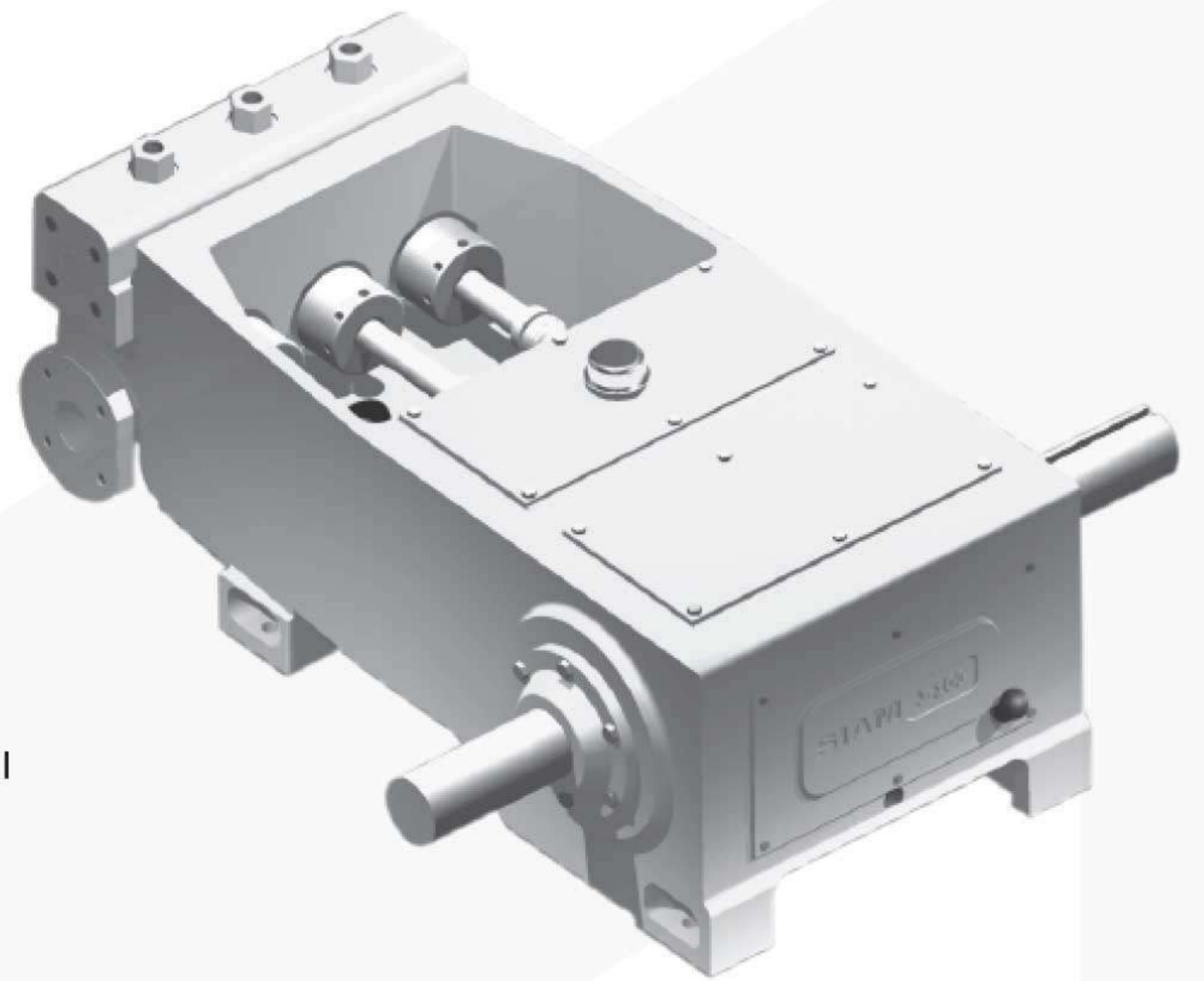


Bomba alternativa a émbolo buzo marca SIAM J100 triplex. SIAM model J100 plunger pump triplex.

Especificaciones Specifications

| | |
|--|---|
| Potencia absorbida Input Horsepower | 100 HP 100 HP |
| Número de émbolos Number of plungers | 3 3 |
| Carrera Stroke length | 101,6 mm 4" |
| Velocidad de Operación Operating speeds | 200 - 450 rpm 200 - 450 rpm |
| Carga sobre el émbolo Plunger load | 2991 Kg 6595 lbs |
| Diámetro extremo cigüeñal Crankshaft end diameter | 95,25 mm / 95,22 mm 3,750" / 3,749" |
| Chavetero (ancho x profundidad) Keyway (width x depth) | 22,2 mm x 11,1 mm 7/8" x 7/16" |
| Capacidad de aceite, bomba / reductor Oil capacity, pump / gear reducer | 20,8 lts. / depende de la relación 5,5 gal. / it depends on gear ratio |
| Relación engranajes disponibles Gear ratios available | 1:2,69 - 1:2,81 - 1:2,93 - 1:3,07 - 1:3,21 1:3,37 - 1:3,54 - 1:3,72 - 1:3,92 |
| Diámetro extremo piñón reductor Reducer pinion end diameter | 60,30 mm / x 60,33 mm 2,374" / 2,375" |
| Chavetero reductor (ancho x prof.) Reducer keyway (width x depth) | 15,8 mm x 7,94 mm 5/8" x 5/16" |
| Peso del reductor Gear reducer weight | 226,8 kg. 500 lbs. |



| CARACTERÍSTICAS / FEATURES | PRESIÓN - PRESSURE | | | PETROLEO MOTRIZ PO |
|--|--------------------|---------------------|--------------------|--------------------------|
| | BAJA LOW | MEDIA MEDIUM | ALTA HIGH | |
| Peso bomba (Kg) Pump weight (lbs) | 2500 1134 | 2220 1007 | 2270 1030 | 3800 1722 |
| Ancho máximo (mm) Maximum width (inches) | 1241 48 7/8 | 1241 48 7/8 | 1241 48 7/8 | 1241 48 7/8 |
| Largo máximo (mm) Maximum length (inches) | 1432 56 3/8" | 1381 54 3/8" | 1381 54 3/8" | 1378 54 1/4" |
| Alto máximo (mm) Maximum height (inches) | 603 23 3/4 | 565 22 1/4" | 483 19" | 546 21 1/2" |
| Diámetro succión (mm) Suction diameter (inches) | 5" ANSI-150#RF | 3" ANSI-150#RF | 3" ANSI-300#RF | 3" ANSI-300#RF |
| Diámetro descarga (mm) Discharge diameter (inches) | 2 1/2" ANSI 600 RJ | 1 1/2" ANSI 1500 RJ | 1 1/2" ANSI 2500#R | 1 1/2" ANSI 2500#RJ |
| Presión hidrostática de prueba (Kg-cm ₂) Hydrostatic test pressure (p.s.i.) | 210 3000 | 450 6400 | 703 10000 | 703 10000 |

Bomba a émbolo buzo marca SIAM, modelo J100L triplex. SIAM multiplex plunger pump, model J100L triplex.

| | | | | | | | | | | | | | | | | | |
|--|---|-------------------------------|-----------------|-----------------|---------------------|-----------------|----------|---------------------|-----|----------|---------------------|-----|----------|---------------------|-----|----------|---------------------|
| Diámetro Embolo Diameter plunger | (mm) (inches) | 85,73 3 3/8" | 79,30 3 1/8" | 73,00 2 7/8" | 66,60 2 5/8" | 60,32 2 3/8" | | | | | | | | | | | |
| Máxima Presión de descarga Maximum discharge pressure | [kg/cm ²] [P.S.I.] | 52,7 750 | 59,5 850 | 70,0 1000 | 84,0 1200 | 105,0 1500 | | | | | | | | | | | |
| Galones por min./r.p.m. Gallons per min./r.p.m. | | 0,4647 | 0,3984 | 0,3372 | 0,2811 | 0,2301 | | | | | | | | | | | |
| Barriles por día/r.p.m. Barrels per day/r.p.m. | | 15,9340 | 13,6600 | 11,5620 | 9,6390 | 7,8900 | | | | | | | | | | | |
| M3/día/r.p.m. M3/day/r.p.m. | | 2,5330 | 2,1720 | 1,8380 | 1,5330 | 1,2540 | | | | | | | | | | | |
| Velocidad bomba Pump speed r.p.m. | Potencia Absorbida Input Horsepower | HP Hidráulico HP hydraulic | GPM | Bbls/day | m ³ /day | GPM | Bbls/day | m ³ /day | GPM | Bbls/day | m ³ /day | GPM | Bbls/day | m ³ /day | GPM | Bbls/day | m ³ /day |
| 450 | 100 | 90,0 | 209 | 7166 | 1140 | 179 | 6145 | 977 | 152 | 5200 | 827 | 126 | 4337 | 690 | 103 | 3548 | 564 |
| 400 | 89,0 | 80,0 | 186 | 6370 | 1013 | 159 | 5462 | 869 | 135 | 4622 | 735 | 112 | 3855 | 613 | 92 | 3154 | 502 |
| 350 | 78 | 70,0 | 163 | 5574 | 887 | 139 | 4779 | 760 | 118 | 4044 | 643 | 98 | 3373 | 537 | 80 | 2759 | 439 |
| 300 | 67 | 60,0 | 139 | 4778 | 760 | 119 | 4097 | 652 | 101 | 3467 | 551 | 84 | 2891 | 460 | 69 | 2365 | 376 |
| 250 | 56,0 | 50,0 | 116 | 3981 | 633 | 100 | 3414 | 543 | 84 | 2889 | 460 | 70 | 2410 | 383 | 57 | 1971 | 314 |
| 200 | 44 | 40,0 | 93 | 3185 | 507 | 80 | 2731 | 434 | 67 | 2311 | 368 | 56 | 1928 | 307 | 46 | 1577 | 251 |

Bomba alternativa a émbolo buzo marca SIAM J100M triplex. SIAM multiplex plunger pump, model J100M triplex.

| | | | | | | | | | | | | | | | | | |
|--|---|-------------------------------|-------------|-----------------|---------------------|-----------------|----------|---------------------|-----|----------|---------------------|-----|----------|---------------------|-----|----------|---------------------|
| Diámetro Embolo Diameter plunger | (mm) (inches) | 53,90 2 1/8" | 50,80 2" | 47,60 1 7/8" | 44,40 1 3/4" | 41,20 1 5/8" | | | | | | | | | | | |
| Máxima Presión de descarga Maximum discharge pressure | [kg/cm ²] [P.S.I.] | 129,5 1850 | 147 2100 | 168 2400 | 193 2750 | 224,0 3200 | | | | | | | | | | | |
| Galones por min./r.p.m. Gallons per min./r.p.m. | | 0,1842 | 0,1632 | 0,1434 | 0,1250 | 0,1077 | | | | | | | | | | | |
| Barriles por día/r.p.m. Barrels per day/r.p.m. | | 6,3160 | 5,5950 | 4,9180 | 4,2840 | 3,6940 | | | | | | | | | | | |
| M3/día/r.p.m. M3/day/r.p.m. | | 1,0040 | 0,8900 | 0,7820 | 0,6810 | 0,5870 | | | | | | | | | | | |
| Velocidad bomba Pump speed r.p.m. | Potencia Absorbida Input Horsepower | HP Hidráulico HP hydraulic | GPM | Bbls/day | m ³ /day | GPM | Bbls/day | m ³ /day | GPM | Bbls/day | m ³ /day | GPM | Bbls/day | m ³ /day | GPM | Bbls/day | m ³ /day |
| 450 | 100 | 90,0 | 83 | 2841 | 452 | 73 | 2518 | 401 | 65 | 2212 | 352 | 56 | 1927 | 306 | 48 | 1661 | 264 |
| 400 | 89,0 | 80,0 | 74 | 2525 | 402 | 65 | 2238 | 356 | 57 | 1967 | 313 | 50 | 1713 | 272 | 43 | 1476 | 235 |
| 350 | 78 | 70,0 | 64 | 2209 | 351 | 57 | 1958 | 312 | 50 | 1721 | 274 | 44 | 1499 | 238 | 38 | 1292 | 205 |
| 300 | 67 | 60,0 | 55 | 1894 | 301 | 49 | 1679 | 267 | 43 | 1475 | 235 | 37 | 1284 | 204 | 32 | 1107 | 176 |
| 250 | 56,0 | 50,0 | 46 | 1578 | 251 | 41 | 1399 | 223 | 36 | 1229 | 196 | 31 | 1070 | 170 | 27 | 923 | 147 |
| 200 | 44 | 40,0 | 37 | 1262 | 201 | 33 | 1119 | 178 | 29 | 983 | 156 | 25 | 856 | 136 | 22 | 738 | 117 |

HP Absorbida: Basado en 90 % de rendimiento mecánico. / Input HP: Based on 90% Mechanical efficiency.

Volumen de desplazamiento: Basado sobre 100% de rendimiento volumétrico. / Volume: Based on 100 % volumetric efficiency.

Bomba alternativa a émbolo buzo marca SIAM, modelo J100H triplex. SIAM multiplex plunger pump, model J100H triplex.

| | | | | | | | | | | | | | | | | | |
|--|--|-------------------------------------|-----------------|-----------------|-----------------|-----------------|----------|--------|-----|----------|--------|-----|----------|--------|-----|----------|--------|
| Diámetro Embolo Diameter plunger | (mm) (inches) | 44,40 1 3/4" | 41,20 1 5/8" | 38,10 1 1/2" | 34,90 1 3/8" | 31,75 1 1/4" | | | | | | | | | | | |
| Máxima Presión de descarga Maximum discharge pressure | [kg/cm2] [P.S.I.] | 193 2750 | 224,0 3200 | 263 3750 | 311 4450 | 350 5000 | | | | | | | | | | | |
| Galones por min./r.p.m. Gallons per min./r.p.m. | | 0,1250 | 0,1077 | 0,0918 | 0,0771 | 0,0637 | | | | | | | | | | | |
| Barriles por día/r.p.m. Barrels per day/r.p.m. | | 4,2840 | 3,6940 | 3,1470 | 2,6440 | 2,1860 | | | | | | | | | | | |
| M3/día/r.p.m. M3/day/r.p.m. | | 0,6810 | 0,5870 | 0,5000 | 0,4200 | 0,3480 | | | | | | | | | | | |
| Velocidad bomba Pump speed r.p.m. | Potencia Absorbida Input Horsepower | HP Hidráulico HP hidraulic | GPM | Bbls/day | m3/day | GPM | Bbls/day | m3/day | GPM | Bbls/day | m3/day | GPM | Bbls/day | m3/day | GPM | Bbls/day | m3/day |
| 450 | 100 | 90,0 | 56 | 1927 | 306 | 48 | 1661 | 264 | 41 | 1415 | 225 | 35 | 1188 | 189 | 29 | 985 | 157 |
| 400 | 89,0 | 80,0 | 50 | 1713 | 272 | 43 | 1476 | 235 | 37 | 1257 | 200 | 31 | 1056 | 168 | 26 | 875 | 139 |
| 350 | 78 | 70,0 | 44 | 1499 | 238 | 38 | 1292 | 205 | 32 | 1100 | 175 | 27 | 924 | 147 | 22 | 766 | 122 |
| 300 | 67 | 60,0 | 37 | 1284 | 204 | 32 | 1107 | 176 | 27 | 943 | 150 | 23 | 792 | 126 | 19 | 656 | 104 |
| 250 | 56,0 | 50,0 | 31 | 1070 | 170 | 27 | 923 | 147 | 23 | 786 | 125 | 19 | 660 | 105 | 16 | 547 | 87 |
| 200 | 44 | 40,0 | 25 | 856 | 136 | 22 | 738 | 117 | 18 | 629 | 100 | 15 | 528 | 84 | 13 | 438 | 70 |

HP Absorbida: Basado en 90 % de rendimiento mecánico. / Input HP: Based on 90% Mechanical efficiency

Volumen de desplazamiento: Basado sobre 100% de rendimiento volumétrico. / Volume: Based on 100 % volumetric efficiency.

